

FORD:
2004-2005 F-150

ISSUE

The 5.4L 3-valve engine lash adjuster and camshaft design has been modified for the 2005 model year (MY). Do not use 2005 MY parts when servicing a 2004 MY engine, or 2004 MY parts when servicing a 2005 MY engine. If parts are intermixed during a service repair, the engine may exhibit noises on affected cylinders and engine damage may result.

ACTION

Order and install parts for the correct model year engine. The following Inspection Procedure can also be used to visually confirm the application of a part.

NOTE

THE ENGINE MODEL YEAR SHOULD BE CONFIRMED BY CHECKING THE ENGINE TAG LOCATED ON THE VALVE COVER. A 2004 MY ENGINE WILL HAVE CODE 4G-692-AA AND A 2005 MY ENGINE WILL BE IDENTIFIED AS 5G-692-AA.

INSPECTION PROCEDURE

2004 and 2005 MY camshafts can be visually identified by the location of the variable cam timing phaser (VCT) pin notch in relation to the machining lug, as seen on the end of the camshafts (Figures 1-2).

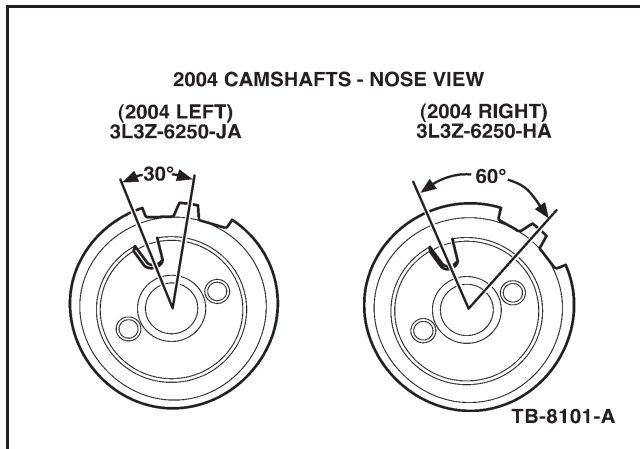


Figure 1 - Article 04-24-24

NOTE: The information in Technical Service Bulletins is intended for use by trained, professional technicians with the knowledge, tools, and equipment to do the job properly and safely. It informs these technicians of conditions that may occur on some vehicles, or provides information that could assist in proper vehicle service. The procedures should not be performed by "do-it-yourselfers". Do not assume that a condition described affects your car or truck. Contact a Ford, Lincoln, or Mercury dealership to determine whether the Bulletin applies to your vehicle. Warranty Policy and Extended Service Plan documentation determine Warranty and/or Extended Service Plan coverage unless stated otherwise in the TSB article. The information in this Technical Service Bulletin (TSB) was current at the time of printing. Ford Motor Company reserves the right to supersede this information with updates. The most recent information is available through Ford Motor Company's on-line technical resources.

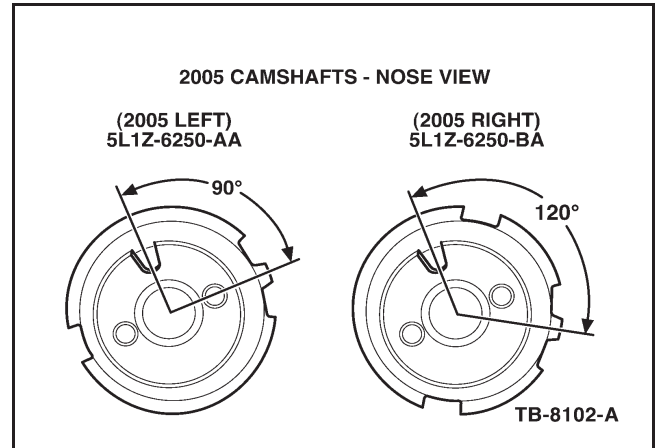


Figure 2 - Article 04-24-24

2004 and 2005 MY lash adjusters can be visually identified by the presence or lack of an identification groove cut into the lash adjuster boss (Figure 3). The 2005 MY parts will have this identification groove cut into the boss, while the 2004 MY parts will not.

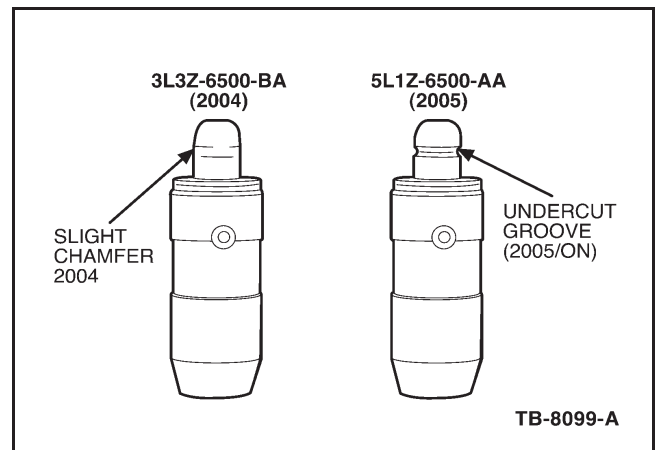


Figure 3 - Article 04-24-24

WARRANTY STATUS: Information Only